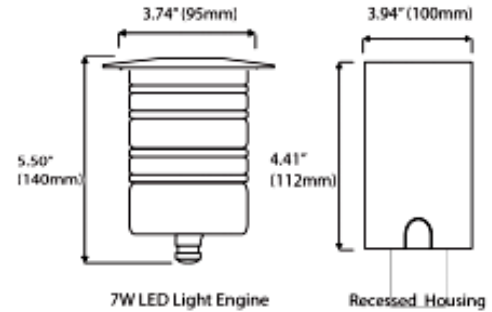




DIMENSIONS:

5.50"(H) x 3.74"(D)



Silicon-filled
Wire Nuts



5" SJTW 20AWG Lead
Wire

IGL-10W-RGBW

12V INTEGRATED LED (IN GROUND) LIGHTS

Ideal for Landscape light, Concrete light, Deck light, In floor light.

ELECTRICAL SPECIFICATIONS:

- Voltage: 12VAC/DC
- Wattage: 10W
- Efficacy: 62LM/W

HOUSING SPECIFICATIONS:

- Aluminum Housing
- Stainless Steel Cover, PVC Sleeve
- Silicon-filled Wire Nuts
- 5" SJTW 20AWG Lead Wire
- Operating Temperature: -20°F ~ 110°F
- Lifespan: 50,000hr
- IP Rating: IP67
- Traffic Rated

CERTIFICATIONS:



MODEL	WATTS	VOLTAGE	LUMENS	COLOR TEMP
IGL-10W-RGBW	10W	12VAC/DC	620LM	RGB+3000K

NEEDS CONTROLLER:



MODEL	DESCRIPTION
RGBW-CONTROLLER	WI-FI RGBW Controller (Remote incl.), 192W max, 12-24 VDC (Not Included)

LIGHTING SPECIFICATIONS:

- Lens: Glass lens
- Dimming: Dimmable
- Light Source: COB Technology
- Total lumens: 620LM
- Color temperature: 3000K
- Beam angle: 90°

WARRANTY: 1 years

