

Jeremiah Lighting

28562-AN

Please read carefully and save these instructions, as you may need them at a later date.

CAUTION

Turn off the main power at the circuit breaker before installing the fixture in order to prevent possible shock.

All electrical connections must be in accordance with local and National Electrical Code (N.E.C.) standards. If you are unfamiliar with proper electrical wiring connections obtain the services of a qualified electrician.

GENERAL

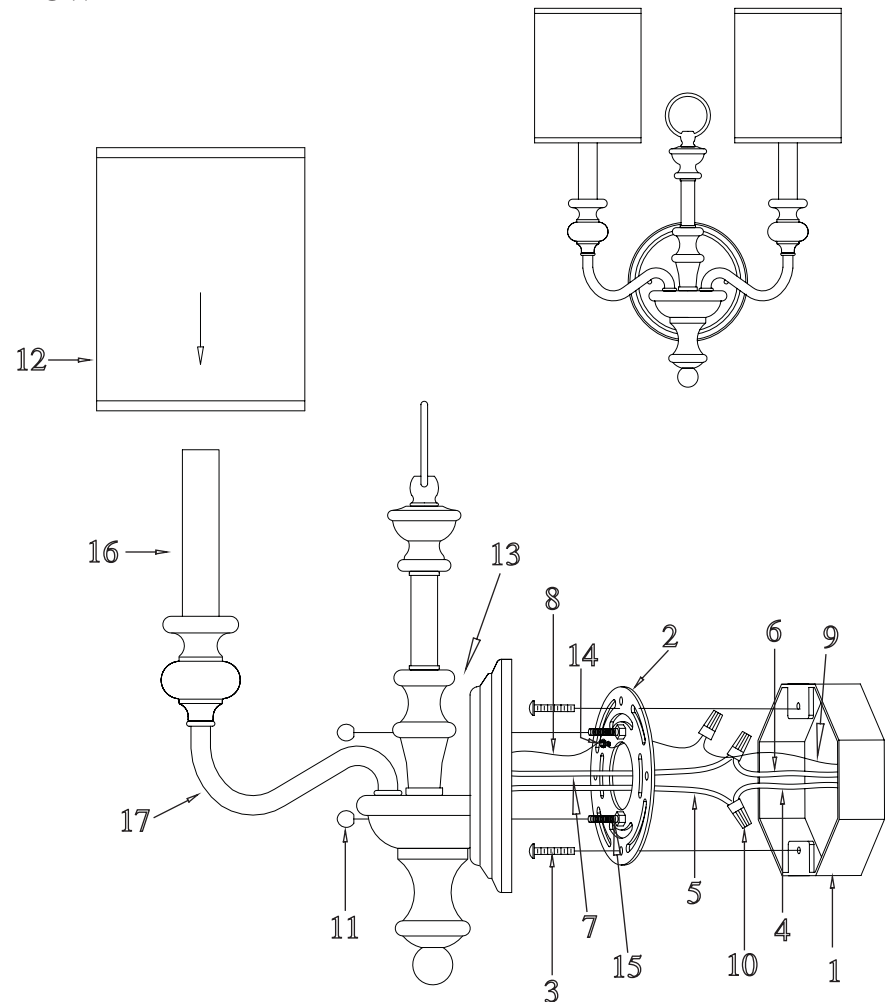
Remove all parts and hardware from the box and make sure that none are missing by referencing the illustrations provided.

ASSEMBLY AND INSTALLATION

1. Remove DECORATIVE NUTS (11) from FIXTURE SCREWS (15) on MOUNTING PLATE (2).
2. Carefully pass the power SUPPLY WIRES (4 & 6) and the SUPPLY GROUND WIRE (9) through the center hole of the MOUNTING PLATE (2). Secure the MOUNTING PLATE (2) to the OUTLET BOX (1) (not included) with existing OUTLET BOX SCREWS and WASHERS (3).
3. Attach the BLACK SUPPLY WIRE (4) to the SMOOTH (or BLACK) FIXTURE LEAD WIRE (5) with WIRE CONNECTOR (10). In the same manner, attach the WHITE SUPPLY WIRE (6) to the RIBBED (or WHITE) FIXTURE LEAD WIRE (7). Loop the SUPPLY GROUND WIRE (9) around the GROUND SCREW (14) on the MOUNTING PLATE (2). [Note: Be sure to provide an extra 3in. length of the SUPPLY GROUND WIRE (9) for connection to the FIXTURE GROUND WIRE (8).] Tighten the GROUND SCREW (14). Connect the remaining SUPPLY GROUND WIRE (9) to the FIXTURE GROUND WIRE (8) using a WIRE CONNECTOR (10). Push wiring and connections inside the OUTLET BOX (1).
4. Place the FIXTURE (13) over the FIXTURE SCREWS (15) and secure FIXTURE (13) with the DECORATIVE NUTS (11) provided.
5. Slide the SHADES (12) over the CANDLE COVERS (16). Pull ARMS (17) so that they are evenly spaced.
6. Install bulbs, **MAXIMUM 60W.**

INSTALLATION IS NOW COMPLETE

WILLOW PARK



2-LIGHT WALL SCONCE

- | | |
|--|---|
| 1. OUTLET BOX (NOT INCLUDED) | 10. WIRE CONNECTOR |
| 2. MOUNTING PLATE | 11. DECORATIVE NUT |
| 3. OUTLET BOX SCREW and WASHER
(pre-attached to outlet box) | 12. SHADE |
| 4. BLACK SUPPLY WIRE (not included) | 13. FIXTURE |
| 5. SMOOTH (OR BLACK) FIXTURE LEAD WIRE | 14. GROUND SCREW (pre-attached) |
| 6. WHITE SUPPLY WIRE (not included) | 15. FIXTURE SCREW and HEX NUT
(pre-attached) |
| 7. RIBBED (OR WHITE) FIXTURE LEAD WIRE | 16. CANDLE COVER (pre-attached) |
| 8. FIXTURE GROUND WIRE | 17. ARM (pre-attached) |
| 9. SUPPLY GROUND WIRE (not included) | |

Customer Service: 1 (800) 527-1292