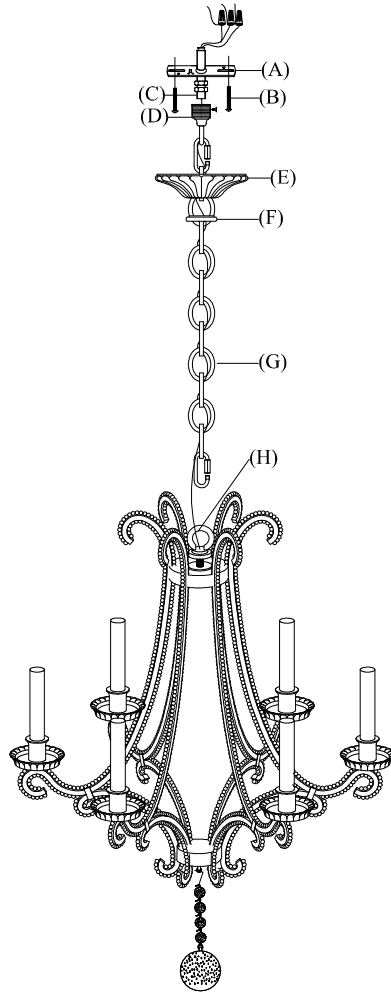


CHC1552

ASSEMBLY & INSTALLATION GUIDE



WE RECOMMEND INSTALLATION OF THIS LIGHTING FIXTURE BE DONE BY A LICENSED ELECTRICIAN.

WARNING * SWITCH OFF THE MAIN ELECTRICAL SUPPLY FROM THE MAIN FUSE BOX/CIRCUIT BREAKER BEFORE INSTALLATION.**

INSPECT ITEM CAREFULLY BEFORE ATTEMPTING TO INSTALL. IF THERE IS ANY DAMAGE OR OBVIOUS DEFECT, DO NOT INSTALL.

ITEM MAY NOT BE RETURNED ONCE IT HAS BEEN INSTALLED.

1. Attach chain (G) to top loop (H) by opening/closing end link of chain.
2. Feed wire through chain (G) and chain mounting loop (D).
3. Slide canopy (E) and canopy ring (F) on chain (G).
4. Attach mounting strap (A) to ceiling outlet box and secure with mounting screws (B).
5. Insert top thread nipple (C) in mounting strap (A).
6. Attach chain mounting loop (D) to thread nipple (C).
7. Attach chain (G) with fixture to chain mounting loop (D) at desired height.
8. Attach the bare copper ground wire from the fixture to the ground junction box wire (usually green or copper wire). Fasten together with a plastic wire connector and wrap the connection with electrical tape. Be sure no wire strands are exposed. It is imperative that the outlet box in your home be properly grounded.
9. Connect the neutral wire from the fixture (ridges molded wire) to the neutral wire from the junction box (usually white). Fasten together with a plastic wire connector and wrap the connection with electrical tape. Be sure no wire strands are exposed. IT IS IMPERATIVE THAT THE OUTLET BOX IN YOUR HOME BE PROPERLY GROUNDED.
10. Connect the hot wire from the fixture (smooth wire) to the hot wire (usually black) from the junction box.
11. Fasten each together with a plastic wire connector and wrap the connection with electrical tape. Be sure that no wire strands are exposed. DO NOT REVERSE THE HOT AND NEUTRAL CONNECTIONS OTHERWISE SAFETY WILL BE COMPROMISED.
12. Tuck the wire connections neatly into the ceiling outlet box.
13. Slip canopy (E) to ceiling and secure with threaded canopy ring (F).
14. Insert light bulbs into the sockets.
15. Restore power and test fixture.