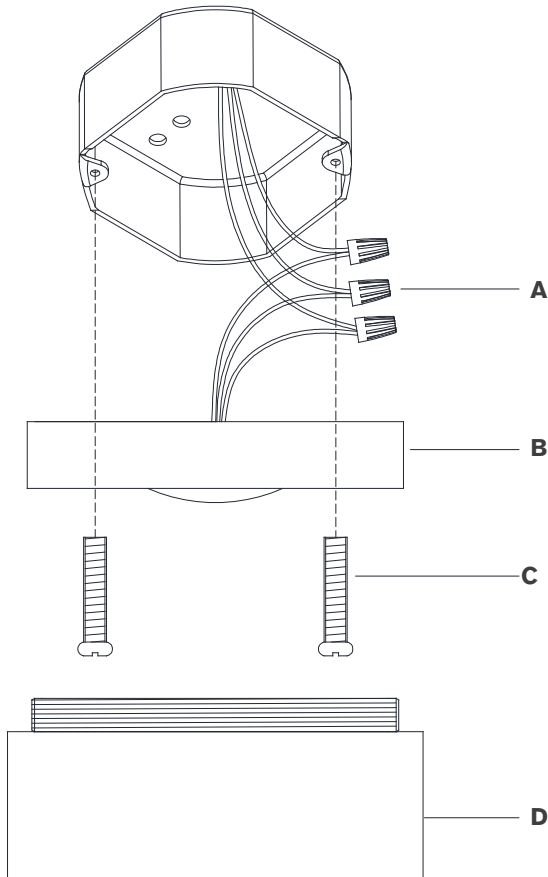


## ASSEMBLY INSTRUCTIONS

### Assembly option 1



## Otto 5" Solitaire

Item # KW 4900

### NOTICE:

This light fixture should be installed in accordance with all applicable, local installation codes, and by a person familiar with the construction and operation of it, as well as the hazards involved. Inspect item and contents carefully. If any damage or defect is found, do not install. Retain all packaging material until installation is complete and approved.

### TOOLS REQUIRED (NOT INCLUDED):

Phillips Screwdriver

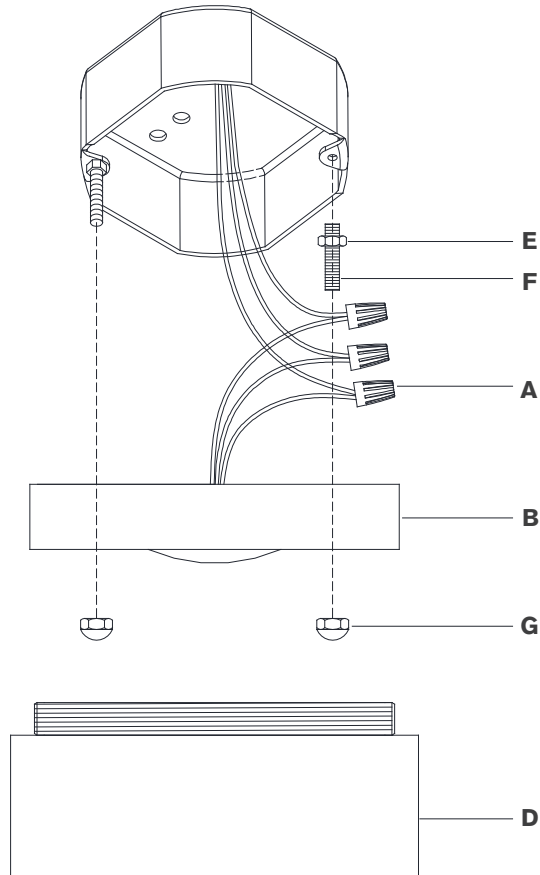
Slotted Screwdriver

1. Carefully remove all parts from the box. Place on a clean, soft surface.
2. Connect fixture ground wire (bare copper) to supply ground wire (usually green or bare copper) using wire nut **(A)**.  
**NOTE:** It is imperative that the fixture is grounded.
3. Connect fixture neutral wire (white) to the supply neutral wire (usually white) using wire nut **(A)**.
4. Connect fixture hot wire (black) to the supply hot wire (usually black) using the wire nut **(A)**.  
**CAUTION:** Do not reverse the hot and neutral connections.
5. Make sure all wire connections are tight, then carefully tuck into the junction box.
6. Install fixture **(B)** to junction box by securing with mounting screws **(C)**.
7. Thread shade **(D)** to fixture **(B)**.  
**NOTE:** Do not overtighten otherwise shade could become damaged.

**Care Instructions:** Clean only with a soft dry cloth or feather duster. Do not use abrasive or chemical agents.

## ASSEMBLY INSTRUCTIONS

### Assembly option 2



## Otto 5" Solitaire

Item # KW 4900

### NOTICE:

This light fixture should be installed in accordance with all applicable, local installation codes, and by a person familiar with the construction and operation of it, as well as the hazards involved. Inspect item and contents carefully. If any damage or defect is found, do not install. Retain all packaging material until installation is complete and approved.

### TOOLS REQUIRED (NOT INCLUDED):

Phillips Screwdriver

Slotted Screwdriver

1. Carefully remove all parts from the box. Place on a clean, soft surface.
2. Attach hex nuts (**E**) to 8/32" threaded nipples (**F**), then secure to junction box.
3. Connect fixture ground wire (bare copper) to supply ground wire (usually green or bare copper) using wire nut (**A**).  
**NOTE:** It is imperative that the fixture is grounded.
4. Connect fixture neutral wire (white) to the supply neutral wire (usually white) using wire nut (**A**).
5. Connect fixture hot wire (black) to the supply hot wire (usually black) using the wire nut (**A**).  
**CAUTION:** Do not reverse the hot and neutral connections.
6. Make sure all wire connections are tight, then carefully tuck into the junction box.
7. Install fixture (**B**) to junction box by securing with caps (**G**).
8. Thread shade (**D**) to fixture (**B**).  
**NOTE:** Do not overtighten otherwise shade could become damaged.

**Care Instructions:** Clean only with a soft dry cloth or feather duster. Do not use abrasive or chemical agents.