

ASSEMBLY INSTRUCTIONS

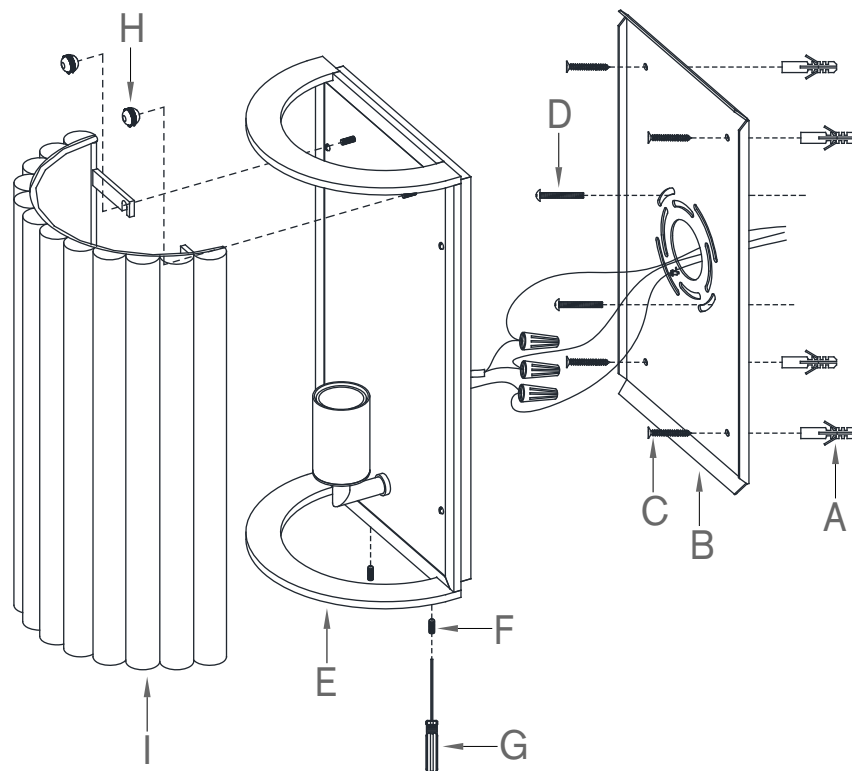
Palati Small Sconce
Item # S 2440

WE RECOMMEND INSTALLATION OF THIS LIGHTING FIXTURE BE DONE BY A LICENSED ELECTRICIAN.

WARNING * SWITCH OFF THE MAIN ELECTRICAL SUPPLY FROM THE MAIN FUSE BOX/CIRCUIT BREAKER BEFORE INSTALLATION.**

INSPECT ITEM CAREFULLY BEFORE ATTEMPTING TO INSTALL. IF THERE IS ANY DAMAGE OR OBVIOUS DEFECT, DO NOT INSTALL.

ITEM MAY NOT BE RETURNED ONCE IT HAS BEEN INSTALLED.



1. Carefully remove all parts from the carton.
2. Remove mounting plate (B) from the fixture base (E) by removing set screws (F) with wrench (G) in counter-clockwise direction.
3. Put the mounting plate (B) on the wall J-box. Mark center points for four mounting holes with a pencil. Remove mounting plate (B).
4. Drill small holes on each point location on the wall, each hole should be large enough to accommodate the plastic anchors (A). Push plastic anchors (A) into the holes in the wall.
5. Affix mounting plate (B) to wall by aligning holes and secure by inserting mounting screws (D) to the holes of J-box and screws (C) to the plastic anchors (A) in the wall.
6. Gently pull the wires from the wall J-box and allow the wires to hang. Thread the wires through the center hole in mounting plate (B).
7. Attach the fixture ground wire (usually green) to ground wire (usually green or copper) of the wall J-box and fasten together with a plastic wire connector. Tightly wrap the wire connector with electrical tape so the end of the connector is sealed. **IT IS IMPERATIVE THAT THE OUTLET BOX IN YOUR HOME BE PROPERLY GROUNDED.**
8. Connect fixture neutral wire (usually white) to neutral wire (usually white) of wall J-box. Fasten the wires together with a plastic wire connector and tightly wrap the wire connector with electrical tape.
9. Connect fixture hot wire (usually black) to hot wire (usually black) of wall J-box. Fasten the wires together with a plastic wire connector and tightly wrap the wire connector with electrical tape. Always make sure that no wire strands left outside the connectors. **DO NOT REVERSE THE HOT AND NEUTRAL CONNECTIONS OTHERWISE SAFETY WILL BE COMPROMISED.**
10. Attach fixture base (E) to mounting plate (B) and secure by inserting set screws (F). Tighten with wrench (G).
11. Insert light bulb (not included) into socket.
12. Remove cap nuts (H) from fixture base (E), place shade (I) onto fixture base (E) and let the rods on fixture base (E) pass through the holes on shade (I) and secure with cap nuts (H).
13. Restore power and test the fixture. Installation is complete.

*** Clean with a dry, soft cloth only. Use no harsh abrasives or chemical agents.



DRY



VISUAL COMFORT & Co. Est. 1987