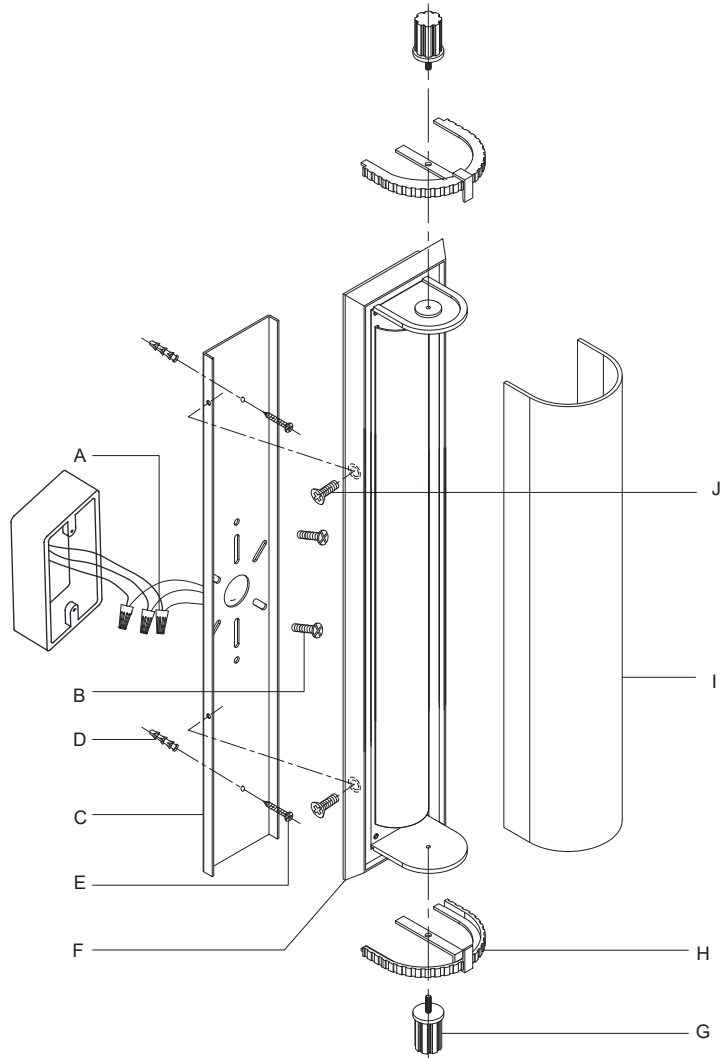


ASSEMBLY INSTRUCTIONS



Calliope Medium Bath Light

Item # TOB 2192

WE RECOMMEND INSTALLATION OF THIS LIGHTING FIXTURE BE DONE BY A LICENSED ELECTRICIAN.

WARNING*SWITCH OFF THE MAIN ELECTRICAL SUPPLY FROM THE MAIN FUSE BOX/CIRCUIT BREAKER BEFORE INSTALLATION.**

INSPECT ITEM CAREFULLY BEFORE ATTEMPTING TO INSTALL. IF THERE IS ANY DAMAGE OR OBVIOUS DEFECT. DO NOT INSTALL.

ITEM MAY NOT BE RETURNED ONCE IT HAS BEEN INSTALLED.

NOTE: CAREFULLY UNPACK EACH PIECE IN TOP LAYER OF PACKING PRIOR TO REMOVING. RETAIN ALL PACKING MATERIAL UNTIL INSPECTION AND INSTALLATION ARE FINAL.

1. Carefully remove all parts from the box.
2. Remove the mounting plate (C) from fixture body (F) by unscrewing the side screws (J).
3. Put the mounting plate (C) to the wall and mark the 2 holes position with pencil.
4. Drill holes on the wall and knock the anchors (D) into the wall holes.
5. Install the mounting plate (C) to the junction box and secure with mounting screws (B), then secure the wood screws (E) into the anchors (D) and lock tight.
6. Wrap the fixture ground wire to the green ground screw on the mounting plate (C) and secure, then connect to the ground wire in the junction box using the wire nut (A).
IT IS IMPERATIVE THAT THIS FIXTURE BE GROUNDED.
7. Connect the fixture white wire to the neutral wire in the junction box using the wire nut (A) .
8. Connect the fixture black wire to the hot wire in the junction box using the wire nut (A).
DO NOT REVERSE THE HOT AND NEUTRAL CONNECTIONS OTHERWISE SAFETY WILL BE COMPROMISED.
9. Install the fixture body (F) to the mounting plate (C) and secure with the side screws (J).
10. Remove the metal cover (H) from the fixture body (F) by unscrewing the thumbscrews (G).
11. Install the glass shade (I) to the fixture body (F), then secure the metal cover (H) to the fixture body (F) and secure with the thumbscrews (G).
12. Installation is complete, turn on power at fuse or circuit breaker.

***Clean with a dry, soft cloth only. Use no harsh abrasives or chemical agents.