

ASSEMBLY AND INSTALLATION INSTRUCTIONS

W0329

WARNING: TO AVOID RISK OF ELECTRICAL SHOCK, BE SURE TO SHUT OFF POWER BEFORE INSTALLING OR SERVICING THIS FIXTURE.

NOTES: 1. Before installing, consult local electrical codes for wiring and ground requirements.
2. Read and save this instruction.

Hardware Package (included)



Mounting Screw(A)



Wire Connector(B)



Strain Relief(C)



Hex Nut(D)



Washer(E)



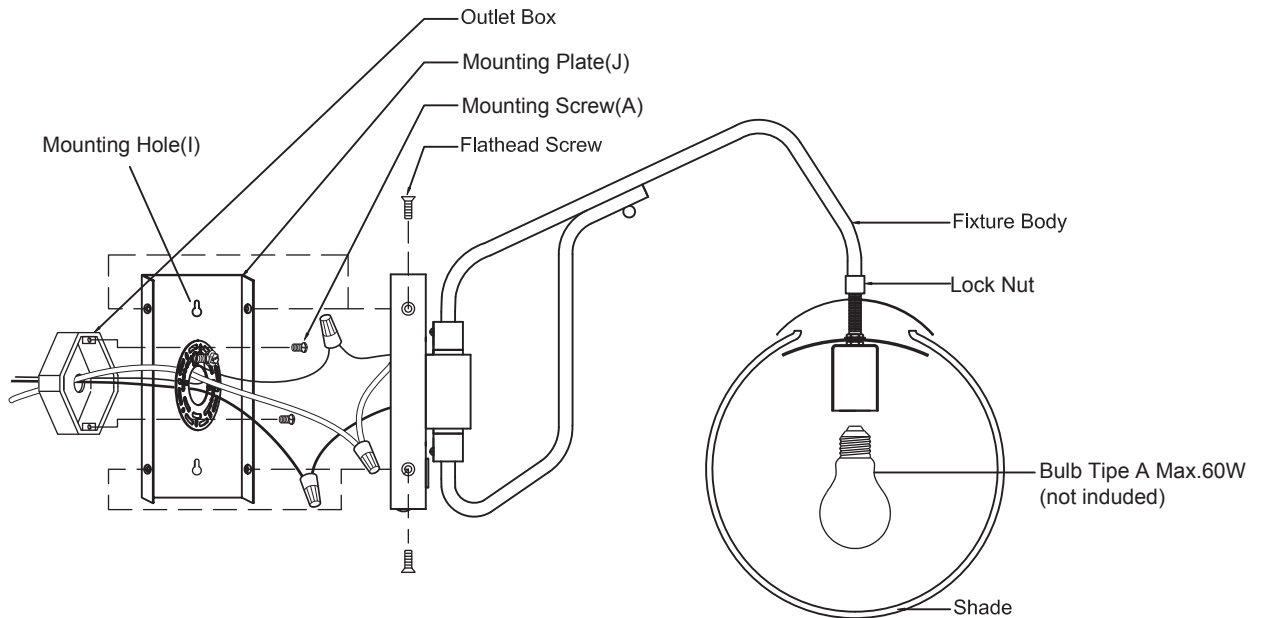
Anchor(F)



Rod Strap(G)



Dry Wall Screw(H)



Turn off the power at fuse or circuit box.

Secure the mounting plate

a. Outlet box mounting

Place the mounting plate(J) onto the outlet box using two mounting screws(A).

b. Other place mounting

- 1) Place the mounting plate(J) onto the desired location and mark the location of the mounting holes.
- 2) Remove the mounting plate(J), drill appropriately sized holes at the marked wall locations, and insert wall anchors(F) into the wall holes.
- 3) Replace the mounting plate(J) onto the desired location.
- 4) Feed the dry wall screw(H) through the mounting holes of the mounting plate(J) and thread them into the wall anchors(F).
- 5) Tighten the dry wall screw(H) until the mounting plate(A) is securely flush against the wall.

Hard wire installation

Pull out the source wires from the wall and connect the wires with wire connectors(B).

- a. The black wire from the fixture to the black wire from the power source.
- b. The white wire from the fixture to the white wire from the power source.
- c. Loop the supply ground wire around the ground screw on the mounting plate and tighten it in place. Connect the fixture ground wire to the supply ground wire using a wire connector(B).
- d. Fasten the fixture body with four flat head screws.
- e. Install the bulb (not included, Medium base Max 60W)
- f. Install glass shade: Tilt the glass shade and slide glass holder into the glass shade carefully, Make sure that the glass holder in the center of glass shade and then tighten the lock nut.

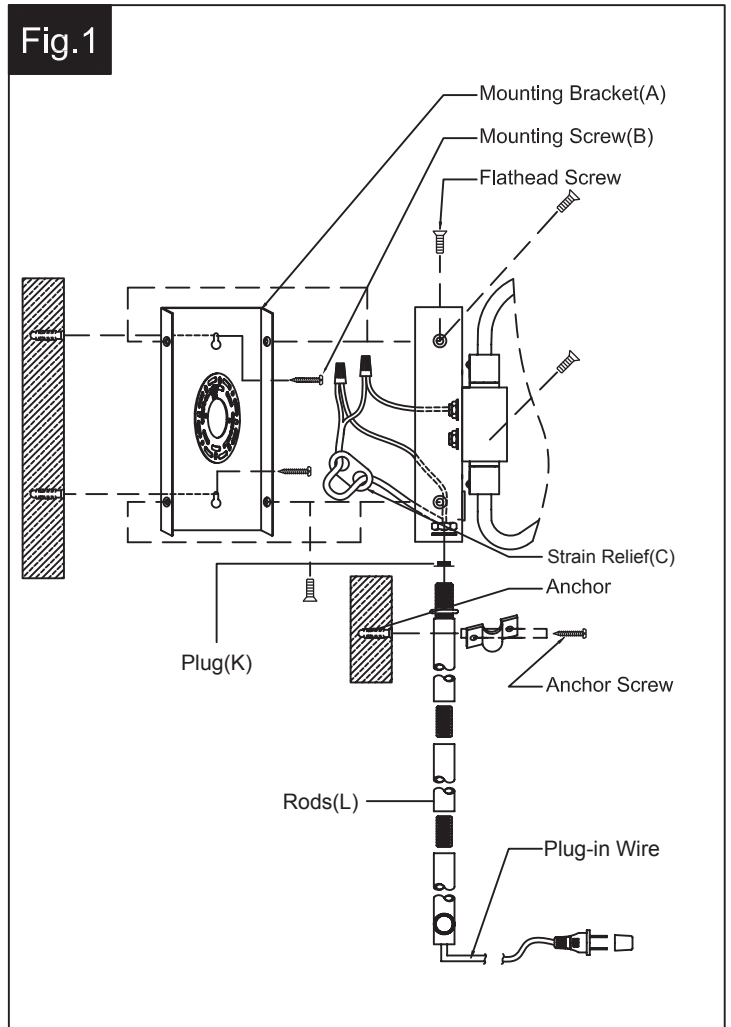
 **VAXCEL**

181208

Plug-in Installation

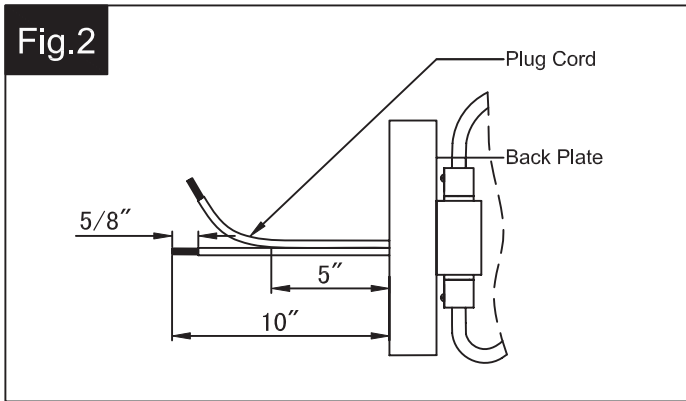
- Feed the plug-in wire through the rods(L) based on the Height of the fixture you want.
- Take off the plug(M) on the back plate, let the plug-in wire through the plug, plug hole and the strain relief(C).
- Cut excess plug-in wire. Leave 10 inches from the back plate. Slit the plug-in wire apart in 5 inches. Peel off insulation of the two wires in 5/8 inch.(See Fig.2)
- Secure the threaded pipe of the rod with hex nut(D) as well as washer(E).
- Connect the wires:
 - The black wire from the back plate to the smooth wire (marked) from the plug cord.
 - The white wire from the back plate to the ridged wire (unmarked) from the plug cord.
 - Carefully put the wires back into the back plate.
- Fasten the fixture body with four flat head screws.
- Attach the rod strap(G) to the connected rod(L) at the bottom, then secure it to the wall using dry wall screws. Anchors for cement wall.
- Install the bulb (not included,Medium base Max 60W)
- Install glass shade: Tilt the glass shade and slide glass holder into the glass shade carefully, Make sure that the glass holder in the center of glass shade and then tighten the lock nut.

Fig.1



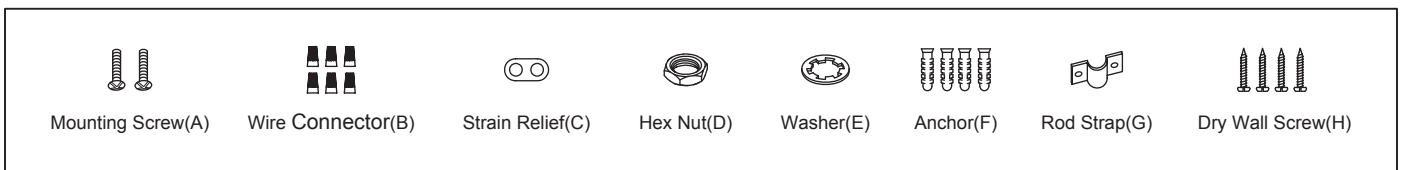
Turn on the power at fuse or circuit box.

Fig.2

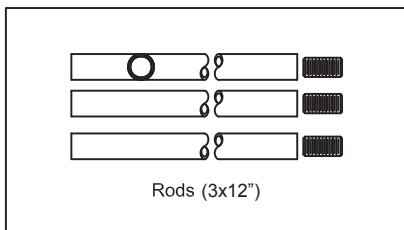


The following parts are available for re-order if damaged or missing.

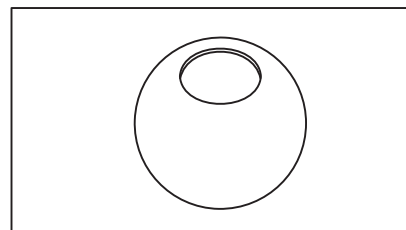
Spare Parts List:



Mounting Hardware
6015MM (1 SET)



Mounting Hardware
3168RD (1 SET)



10" Globe Frosted Opal Glass Shade
10043FO

